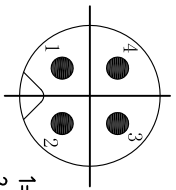
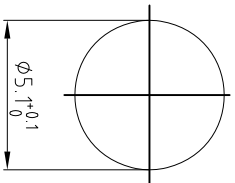


MALE END VIEW



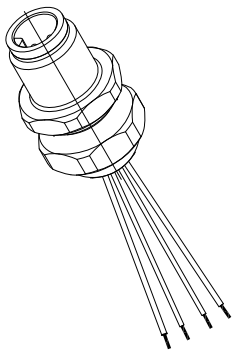
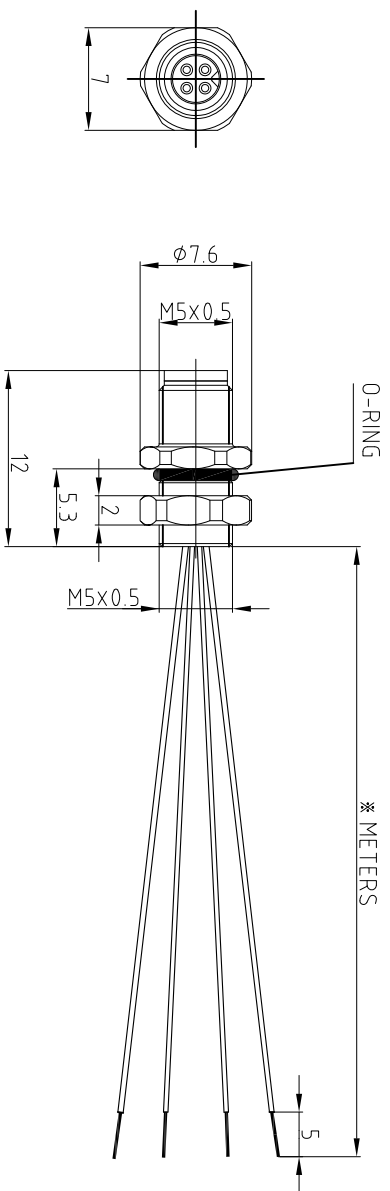
1=BN
2=WH
3=BU
4=BK

SUGGESTED PANEL CUT OUT



SPECIFICATIONS

| | |
|--------------------------------|---------------|
| CONTACT CARRIER MATERIAL/COLOR | PA/BLACK |
| CONTACTS | BRASS/GOLD |
| HOUSING MATERIAL/PLATING | BRASS/NICKEL |
| O-RING MATERIAL | NBR |
| OPERATING CURRENT | 1 A |
| OPERATING VOLTAGE | 60 V |
| CONDUCTOR INSULATION MATERIAL | PVC |
| NUMBER OF CONDUCTORS (AWG) | 4 x 26 AWG |
| OPERATING TEMPERATURE | -20°C — +85°C |
| PROTECTION CLASS | IEC IP67 |



| | |
|--------------|--|
| CABLE LENGTH | TOLERANCE |
| ALL LENGTHS | +4%(OR 50mm) OF LENGTH -0% (OR 0mm) OF LENGTH WHICHEVER IS GREATER |
| STRIP LENGTH | TOLERANCE |
| 0 - 7mm | ± 1.0mm |
| 8 - 29mm | ± 1.5mm |
| 30 - 49mm | ± 2.0mm |
| 50 - 69mm | ± 3.0mm |
| 70 - 100mm | ± 4.0mm |
| over 100mm | ± 5.0mm |

| REV | COUNT | DESCRIPTION OF REVISIONS | BY | CHECKED | DATE |
|-----|-------|--------------------------|----|---------|------|
| | | | | | |
| | | | | | |
| | | | | | |

| | | |
|------------------------------------|-------------------------|---------------------------------------|
| UNIT OF MEASUREMENT MILLIMETER | | |
| Tianjin Geneuo Technology Co., Ltd | | |
| Approved: Date: | Date: 2018.4.27 | Description: FBZ4,2-* |
| Process:YJF Date:2018.5.24 | Scale: 1:1 | |
| Checked:Y Date:2018.5.3 | 3RD Angle Projection | www.gsee-tech.cn www.gsee-tech.com |
| Designed:XH Date:2018.4.27 | | REV A |

SOURCE DRAWING-FOR REFERENCE ONLY